



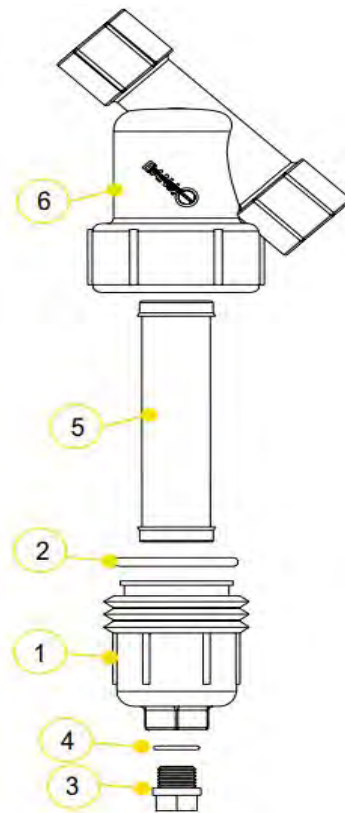
SCREENS	
MESH SIZE	RIB COLOR
6 MESH	WHITE
12 MESH	BLACK
20 MESH	BEIGE
30 MESH	RED
40 MESH	BROWN
50 MESH	BLUE
80 MESH	YELLOW
100 MESH	GREEN
120 MESH	BLACK

Poly Y-Strainers

PART#	DESCRIPTION
LS100-20	1" x 1" Y Strainer w/ 20 Mesh SS Screen
LS100-40	1" x 1" Y Strainer w/ 40 Mesh SS Screen
LS100-80	1" x 1" Y Strainer w/ 80 Mesh SS Screen
LS125-20	1 1/4" x 1 1/4" Y Strainer w/ 20 Mesh SS Screen
LS125-40	1 1/4" x 1 1/4" Y Strainer w/ 40 Mesh SS Screen
LS125-80	1 1/4" x 1 1/4" Y Strainer w/ 80 Mesh SS Screen
LS150-20	1 1/2" x 1 1/2" Y Strainer w/ 20 Mesh SS Screen
LS150-30	1 1/2" x 1 1/2" Y Strainer w/ 30 Mesh SS Screen
LS150-50	1 1/2" x 1 1/2" Y Strainer w/ 50 Mesh SS Screen
LS150-80	1 1/2" x 1 1/2" Y Strainer w/ 80 Mesh SS Screen
LS150-120	1 1/2" x 1 1/2" Y Strainer w/ 120 Mesh SS Screen
LS200-20	2" x 2" Y Strainer w/ 20 Mesh SS Screen
LS200-30	2" x 2" Y Strainer w/ 30 Mesh SS Screen
LS200-50	2" x 2" Y Strainer w/ 50 Mesh SS Screen
LS200-80	2" x 2" Y Strainer w/ 80 Mesh SS Screen
LS200-120	2" x 2" Y Strainer w/ 120 Mesh SS Screen
LSM300-50	3" Y Strainer w/ 50 Mesh SS Screen

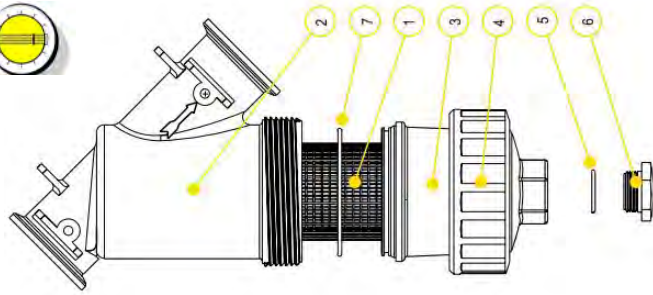
REPLACEMENT PARTS FOR 1"-1 1/4" Y-STRAINERS

ITEM	PART#	DESCRIPTION
1	LS100-C1*	1" - 1 1/4" End Cap
2	LS100-G	1" - 1 1/4" O-Ring
2	LS100-GV	1" - 1 1/4" FKM (viton type) Gasket
3	12777	1/2" Drain Plug (Fits 1" - 1 1/4")
4	UB15163	1" - 1 1/4" EPDM O-Ring for Drain Plug
4	UB15163V	1" - 1 1/4" FKM (viton type) O-Ring for Drain Plug
5	LS120	1" - 1 1/4" 20 Mesh Screen
5	LS140	1" - 1 1/4" 40 Mesh Screen
5	LS180	1" - 1 1/4" 80 Mesh Screen
6	LS100-B	1" Y Body
6	LS125-B	1 1/4" Y Body



ITEM	PART#	DESCRIPTION
1	LS150-C	1 1/2"-2" End Cap
2	LS150-G	1 1/2"-2" Oo-Rong for Strainer
2	LS150-GV	1 1/2"-2" FKM (viton type) Gasket
3	LSQ200-PL	1" Drain Plug (Fits 1 1/2"-2")
4	LSQ200-RV	1 1/2"-2" FKM (viton type) O-Ring for Drain Plug
5	LS206	1 1/2"-2" 6 Mesh Screen
5	LS212	1 1/2"-2" 12 Mesh Screen
5	LS220	1 1/2"-2" 20 Mesh Screen
5	LS230	1 1/2"-2" 30 Mesh Screen
5	LS250	1 1/2"-2" 50 Mesh Screen
5	LS280	1 1/2"-2" 80 Mesh Screen
5	LS2100	1 1/2"-2" 100 Mesh Screen
5	LS2120	1 1/2"-2" 120 Mesh Screen
5	LS250P	1 1/2"-2" 50 Mesh All Poly Screen
6	LS150-B	1 1/2" Y body
6	LS200-B	2" Y Body





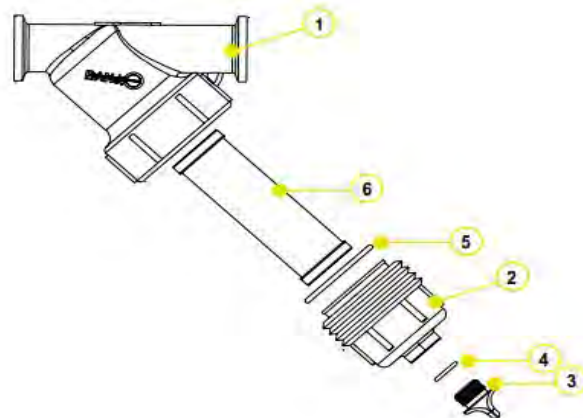
Poly Manifold Y-Strainers

PART#	DESCRIPTION
MLS100-80	1" Manifold Y Strainer w/ 80 Mesh Screen
MLS200-06	2" Manifold Y Strainer w/ 6 Mesh Screen
MLS200-12	2" Manifold Y Strainer w/ 12 Mesh Screen
MLS200-20	2" Manifold Y Strainer w/ 20 Mesh Screen
MLS200-30	2" Manifold Y Strainer w/ 30 Mesh Screen
MLS200-50	2" Manifold Y Strainer w/ 50 Mesh Screen
MLS200-80	2" Manifold Y Strainer w/ 80 Mesh Screen
MLS222-04	2" FP Manifold Y Strainer w/ 4 Mesh Screen
MLS222-10	2" FP Manifold Y Strainer w/ 10 Mesh Screen
MLS222-16	2" FP Manifold Y Strainer w/ 16 Mesh Screen
MLS222-30	2" FP Manifold Y Strainer w/ 30 Mesh Screen
MLS222-50	2" FP Manifold Y Strainer 2/ 50 Mesh Screen
MLS222-80	2" FP Manifold Y Strainer 2/ 80 Mesh Screen
MLS300-50	3" Manifold Y Strainer w/ 50 Mesh Screen

REPLACEMENT PARTS FOR MLS100		
ITEM	PART#	DESCRIPTION
1	MLS100B	1" Y Strainer Body
N/S	MLS100BC	1" Y Strainer Assembly (Includes Items 1-5)
2	LS100-C1	1" Y Strainer Cap, Drain Plug & O-Ring
3	12777	1" Flanged Y Strainer Plug
4	UV15163	1" Flanged Y Strainer O-Ring
5	LS100-G	1" EPDM Gasket for Strainer
6	LS120	20 Mesh Screen
6	LS140	40 Mesh Screen
6	LS180	80 Mesh Screen

REPLACEMENT PARTS FOR MLS222		
ITEM	PART#	DESCRIPTION
1	LST230SS	30 Mesh SS Screen
1	LST250SS	50 Mesh SS Screen
1	LST280SS	80 Mesh SS Screen
2	MLS222B	2" Flanged Y Strainer Body
3	MLS220C1	2" Flanged Y Strainer Cap
4	MLS220R1	2" Flanged Y Strainer Ring
5	LSQ200-R	2" Plug Gasket
6	LSQ200-PL	2" Plug
7	MLS220G1	2" Body Gasket

REPLACEMENT PARTS FOR MLS200 (below)		
ITEM	PART#	DESCRIPTION
1	MLS200B	2" Y Strainer Body
N/S	MLS200BC	2" Y Strainer Assembly (Includes Items 1-5)
2	LS150-C	2" Y Strainer Cap, Drain Plug & O-Ring
3	LSQ200-PL	2" Flanged Y Strainer Plug
4	LSQ200-R	2" Flanged Y Strainer O-Ring
5	LS150-G	2" EPDM Gasket for Strainer
5	LS150-GV	2" FKM (viton type) Gasket for Strainer
6	LS206	6 Mesh Screen
6	LS212	12 Mesh Screen
6	LS220	20 Mesh Screen
6	LS230	30 Mesh Screen
6	LS250	50 Mesh Screen
6	LS280	80 Mesh Screen
6	LS2120	120 Mesh Screen

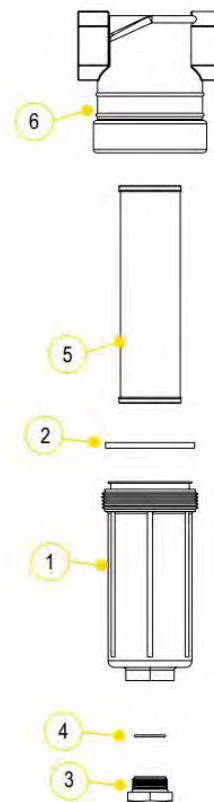




SCREENS	
MESH SIZE	RIB COLOR
16 MESH	BROWN RED
30 MESH	RED
50 MESH	BLUE
80 MESH	YELLOW
100 MESH	GREEN

Poly T-Strainers

PART#	DESCRIPTION
LST075-50	3/4" T Strainer w/ 50 Mesh Screen
LST075-80	3/4" T Strainer w/ 80 Mesh Screen
LST075-100	3/4" T Strainer w/ 100 Mesh Screen
LST100-50	1" T Strainer w/ 50 Mesh Screen
LST100-80	1" T Strainer w/ 80 Mesh Screen
LST100-100	1" T Strainer w/ 100 Mesh Screen
LST125-50	1 1/4" T Strainer w/ 50 Mesh Screen
LST125-80	1 1/4" T Strainer w/ 80 Mesh Screen
LST125-100	1 1/4" T Strainer w/ 100 Mesh Screen
LST150-50	1 1/2" T Strainer w/ 50 Mesh Screen
LST150-100	1 1/2" T Strainer w/ 100 Mesh Screen



REPLACEMENT PARTS FOR LST075 & LST100		
ITEM	PART#	DESCRIPTION
1	LST100-B*	3/4" & 1" Bowl
2	LST100-G	3/4" & 1" EPDM Gasket for Strainer
2	LST00-GV	3/4" & 1" FKM (viton type) Gasket
3	12777	1/2" Clean Out Plug
4	UV15163	EPDM O-Ring for Clean Out Plug
4	UV15163V	FKM (viton type) O-ring for Clean Out Plug
5	LST116	16 Mesh Screen
5	LST130	30 Mesh Screen
5	LST150	50 Mesh Screen
5	LST180	80 Mesh Screen
5	LST1100	100 Mesh Screen
6	LST075-H	3/4" Strainer Head
6	LST100-H	1" Strainer Head
7	13778	EPDM O-Ring for Screen
N/A	LST075-HB	3/4" Strainer Head, Bowl & Gasket
N/A	LST100-HB	1" Strainer Head, Bowl & Gasket

NOTE: Items marked with an asterisk* include parts 1, 3 & 4.

REPLACEMENT PARTS FOR LST125 & LST150		
ITEM	PART#	DESCRIPTION
1	LST150-B*	1 1/4" & 1 1/2" Bowl
2	LST150-G	1 1/4" & 1 1/2" EPDM Gasket for Strainer
2	LST150-GV	1 1/4" & 1 1/2" FKM (viton type) Gasket
3	LSQ200-PL	1" Clean Out Plug
4	LSQ200-R	EPDM O-Ring for Clean Out Plug
4	LSQ200-RV	FKM (viton type) O-Ring for Clean Out Plug
5	LST1516	16 Mesh Screen
5	LST1530	30 Mesh Screen
5	LST1550	50 Mesh Screen
5	LST1580	80 Mesh Screen
5	LST5100	100 Mesh Screen
6	LST125-H	1 1/4" Strainer Head
6	LST150-H	1 1/2" Strainer Head
7	LST034G	EPDM O-Ring for Screen
N/A	LST125-HB	1 1/4" Strainer Head, Bowl & Gasket
N/A	LST150-HB	1 1/2" Strainer Head, Bowl & Gasket

NOTE: Items marked with an asterisk* include parts 1, 3 & 4.

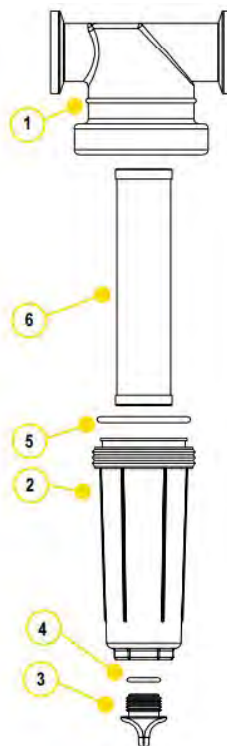




SCREENS	
MESH SIZE	RIB COLOR
16 MESH	BROWN RED
30 MESH	RED
50 MESH	BLUE
80 MESH	YELLOW
100 MESH	GREEN

Poly Manifold T-Strainers

PART#	DESCRIPTION
MLST100-30	1" Manifold T Strainer w/ 30 Mesh Screen
MLST100-50	1" Manifold T Strainer w/ 50 Mesh Screen
MLST100-80	1" Manifold T Strainer w/ 80 Mesh Screen
MLST100-100	1" Manifold T Strainer w/ 100 Mesh Screen
MLST150-30	1" Manifold T Strainer w/ 30 Mesh Screen
MLST150-50	2" Manifold T Strainer w/ 50 Mesh Screen
MLST150-80	2" Manifold T Strainer w/ 80 Mesh Screen
MLST150-100	2" Manifold T Strainer w/ 100 Mesh Screen



REPLACEMENT PARTS FOR MLST100		
ITEM	PART#	DESCRIPTION
1	MLST100-H	1" Flanged T Strainer Head
N/S	MLST100-HB	1" Flanged T Strainer (Includes 1-5)
2	LST100-B	1" Flanged T Strainer Bowl, Drain Plug & O-Ring
3	12777	1" Flanged T Strainer Plug
4	UV15163	1" Flanged T Strainer O-Ring
5	LST100-G	1" EPDM Gasket for Strainer
5	LST100-GV	1" FKM (viton type) Gasket
6	LST116	16 Mesh Screen
6	LST130	30 Mesh Screen
6	LST150	50 Mesh Screen
6	LST180	80 Mesh Screen
6	LST1100	100 Mesh Screen

REPLACEMENT PARTS FOR MLST150		
ITEM	PART#	DESCRIPTION
1	MLST150-H	1 1/2" Flanged T Strainer Head
N/S	MLST150-HB	1 1/2" Flanged T Strainer (Includes 1-5)
2	LST150-B	1 1/2" Flanged T Strainer Bowl, Drain Plug & Gasket
3	LSQ200-PL	1 1/2" Flanged T Strainer Plug
4	LSQ200-R	1 1/2" Flanged T Strainer O-Ring
5	LST150-G	1 1/2" EPDM Gasket for Strainer
5	LST150-GV	1 1/2" FKM (viton type) Gasket
6	LST1516	16 Mesh Screen
6	LST1530	30 Mesh Screen
6	LST1550	50 Mesh Screen
6	LST1580	80 Mesh Screen
6	LST15100	100 Mesh Screen





Poly Mini "T" Clear Bowl Line Strainers

PART#	DESCRIPTION
LSTM050-XXC	1/2" FPT (30,50,80,100 Mesh Available)
LSTM075-XXC	3/4" FPT (30,50,80,100 Mesh Available)
LSTM050BC	Replacement Bowl
LSTM050G	Replacement Gasket

-XX indicates mesh size



Poly Mini "T" Black Bowl Line Strainers

PART#	DESCRIPTION
LSTM050-XX	1/2" FPT (30,50,80,100 Mesh Available)
LSTM075-XX	3/4" FPT (30,50,80,100 Mesh Available)
LSTM050B	Replacement Bowl
LSTM050G	Replacement Gasket

-XX indicates mesh size

Hypro In-Line Strainers



CLEAR NYLON IN-LINE STRAINER	
PART#	DESCRIPTION
3350-0079	1/4" I.D. FPT & 1/2" O.D. MPT Strainer
3351-0022	Replacement Cap
3351-0020	Replacement Bowl (Clear)
1700-0064	Replacement Gasket (Viton)
1700-0065	Replacement Gasket (Buna-N)
3800-0046	Replacement 50 Mesh SS Screen

BLACK POLY IN-LINE STRAINER	
PART#	DESCRIPTION
3350-0079A	1/4" I.D. FPT & 1/2" O.D. MPT Strainer
3351-0035	Replacement Cap
3351-0036	Replacement Bowl (Black)
1700-0090	Replacement Gasket (EPDM)
3800-0046	Replacement 50 Mesh SS Screen

Flush-Out Line Strainer



PART#	DESCRIPTION
*AA126ML-F50	50 Series Flange Flush-Out Line Strainer
CP50493-PP	Replacement Bowl
CP48655-PP	Replacement Drain Cap
CP50494-EPR	Replacement Head Gasket
CP63150-EPR	Replacement Gasket for Drain Cap
CP16903-1-SSPP	Replacement 16 Mesh Screen
CP16903-3-SSPP	Replacement 30 Mesh Screen
CP16903-4-SSPP	Replacement 50 Mesh Screen
CP16903-5-SSPP	Replacement 80 Mesh Screen
CP16903-6-SSPP	Replacement 100 Mesh Screen
CP16903-7-SSPP	Replacement 200 Mesh Screen

Strainer Suction Baskets



PART#	SIZE
200SBS	2"
300SBS	3"



Micro Valves



PART#	DESCRIPTION	PIPE SIZE	PORT SIZE
LV025V	1/4" FPT Micro Valve	1/4"	3/8"
LV038V	3/8" FPT Micro Valve	3/8"	3/8"
LV050V	1/2" FPT Micro Valve	1/2"	15/32"



PART#	DESCRIPTION	PIPE SIZE	PORT SIZE
LV025MTV	1/4" FPT x MPT Micro Valve	1/4"	3/8"
LV038MTV	3/8" FPT x MPT Micro Valve	3/8"	3/8"
LV038050MTV*	3/8" FPT x 1/2" MPT Micro Valve for 1/2" Drain Plug	3/8" x 1/2"	3/8"
LV050MTV	1/2" FPT x MPT Micro Valve	1/2"	15/32"
LV050100MTV	1/2" FPT x 1" MPT Micro Valve for 1" Drain Plug	1/2" x 1"	15/32"



PART#	DESCRIPTION	PIPE SIZE	PORT SIZE
LVHB025V	1/4" Hose barb Micro Valve	1/4"	3/8"
LVHB038V	3/8" Hose barb Micro Valve	3/8"	3/8"
LVHB050V	1/2" Hose barb Micro Valve	1/2"	15/32"
LVHB075V	3/4" Hose barb Micro Valve	3/4"	15/32"



PART#	DESCRIPTION	PIPE SIZE	PORT SIZE
LVHB038050MTV	3/8" Hose Barb x 1/2" MPT Micro Valve for 1/2" Drain Plug	3/8" x 1/2"	3/8"
LVHB075100MTV	3/4" Hose Barb x 1" MPT Micro Valve for 1" Drain Plug	3/4" x 1"	15/32"
LVHB075MTV	3/4" Hose Barb x 3/4" MPT Micro Valve	3/4"	1/2"



PART#	DESCRIPTION	PIPE SIZE	PORT SIZE
LVPL025V	1/4" Female Push Lock Valve	1/4" OD	3/8"
LVPL038V	3/8" Female Push Lock Valve	3/8" OD	3/8"
LVPL050V	1/2" Female Push Lock Valve	1/2" OD	15/32"
LVPL038MPTV	3/8" Female Push Lock x 3/8" MPT	3/8"	3/8"
LVPL038025MPTV	3/8" Female Push Lock x 1/4" MPT	1/4"	3/8"

Single Union Poly Ball Valves



PART#	DESCRIPTION	PIPE SIZE	PORT SIZE
SUV050FP	1/2" Full Port Union Valve	1/2"	1/2"
SUV075FP	3/4" Full Port Union Valve	3/4"	3/4"
SUV100FP	1" Full Port Union Valve	1"	1"
SUV125FP	1 1/4" Full Port Union Valve	1 1/4"	1 1/4"
SUV150FP	1 1/2" Full Port Union Valve	1 1/2"	1 1/2"
SUV200FP	2" Full Port Union Valve	2"	2"

Pressure Relief Valves



PART#	SIZE	PSI
MPRV100-050	1"	50
MPRV100-075	1"	75
MPRV100-100	1"	100
MPRV100-125	1"	725
MPRV100-150	1"	150

Poly Nozzle Valves w/ 90 degree Elbow



PART#	DESCRIPTION	PIPE SIZE	PORT SIZE
VA150	1 1/2" Nozzle Valve w/ 90° Elbow	1 1/2"	1 1/2"
VA200	2" Nozzle Valve w/ 90° Elbow	2"	1 1/2"
VA200FP	2" FP Nozzle Valve w/ 90° Elbow	2"	2 1/16"



NEW PRODUCTS
EQUIPMENT
LUCAS OIL PRODUCTS
KNIVES & COULTER COMPONENTS
TANKS
PRECISION ELECTRONICS
SPRAY TIPS
NOZZLE BODIES
SPRAY COMPONENTS
PUMPS & METERS
VALVES & STRAINERS
FITTINGS & COUPLINGS
NH3
FUEL TRANSFER
AG COMPONENTS
PLANTER PRODUCTS

"Stubby" Ball Valves



PART#	DESCRIPTION	PIPE SIZE	PORT SIZE
VSF200	2" Male Adapter x 2" FPT	2"	1 1/2"
VSMT200	2" MPT x 2" FPT	2"	1 1/2"
VSFMT200	2" Male Adapter x 2" MPT	2"	1 1/2"
VSFHB200	2" Male Adapter x 2" Hose Barb	2"	1 1/2"
VSMT204FP	2" MPT x 2" FPT (Full Port)	2"	2"
VSF204FP	2" Male Adapter x 2" FPT (Full Port)	2"	2"
VS204FP	2" FPT x 2" FPT (Full Port)	2"	2"
VSFMT204FP	2" Male Adapter x 2" MPT (Full Port)	2"	2"
VSMT300	3" FPT x 3" MPT	3"	2 1/2"
VSF300	3" FPT x 3" Male Adapter	3"	2 1/2"
VSFMT300FP	3" FP Male Adapter x 3" MPT	3"	3"
VSMT300	3" MPT x 3" Male Adapter	3"	2 1/2"

Full Port Easy Fill Valves



PART#	DESCRIPTION	SIZE	MAX PSI
VSHBD204FP	2" FP Smart-Connect Valve (Short)	2"	100
VSHBD205FP	2" FP Smart-Connect Valve w/ Metal Handle (Short)	2"	100
VSBBH204FP	2" FP Easy Fill Valve	2"	150
VSBBH205FP	2" FP Easy Fill Valve w/ Handle	2"	150
VSHBD300FP	3" FP Smart-Connect Valve (Short)	3"	100
VSHBD305FP	3" FP Smart-Connect Valve w/ Metal Handle (Short)	3"	100
VSBBH304FP	3" FP Easy Fill Valve	3"	100
VSBBH305FP	3" FP Easy Fill Valve w/ Handle	3"	100
H25053	2" & 3" Carry Handle	N/A	N/A
V25272	1 1/4"-3" Metal Carry Handle	N/A	N/A

4 Bolt Ball Valves



PART#	DESCRIPTION	PIPE SIZE	PORT SIZE
V050	1/2" Full Port Valve	1/2"	3/4"
V075	3/4" Full Port Valve	3/4"	3/4"
V100	1" Standard Port Valve	1"	3/4"
V100FP	1" Full Port Valve	1"	1"
V125	1 1/4" Standard Port Valve	1 1/4"	1"
V125FP	1 1/4" Full Port Valve	1 1/4"	1 1/2"
V150	1 1/2" Full Port Valve	1 1/2"	1 1/2"
V200	2" Standard Port Valve	2"	1 1/2"
V204FP	2" Full Port Valve	2"	2"
VFMT204FP	2" Full Port Valve MPT x Male Adapter	2"	2"

3-Way Side Load Valves



PART#	DESCRIPTION	PIPE SIZE	PORT SIZE	HANDLE TYPE
V075SL	3/4" 3-Way SL Valve	3/4"	1"	Straight
V100SL	1" 3-Way SL Valve	1"	1"	Straight
VT100SL	1" 3-Way SL Valve	1"	1"	T
V125SL	1 1/4" 3-Way SL Valve	1 1/4"	1 1/2"	T
V150SL	1 1/2" 3-Way SL Valve	1 1/2"	1 1/2"	T
V200SL	2" 3-Way SL Valve	2"	2"	Straight
VT200SL	2" 3-Way SL Valve	2"	2"	T

6 Bolt Ball Valves



PART#	DESCRIPTION	PIPE SIZE	PORT SIZE
V200FP	2" Full Port Valve	2"	2"
VFMT200FP	2" Full Port Valve MPT x Male Adapter (Long Handle)	2"	2"
VFMT200FPSH	2" Full Port Valve MPT x Male Adapter (Short Handle)	2"	2"
V300	3" Standard Port Valve	3"	2 1/2"
V300FP	3" Full Port Valve	3"	3"
V400	4" Standard Port Valve	4"	3 1/2"

3-Way Bottom Load Valves



PART#	DESCRIPTION	PIPE SIZE	PORT SIZE	HANDLE TYPE
V075BL	3/4" 3-Way BL Valve	3/4"	1"	T
V100BL	1" 3-Way BL Valve	1"	1"	T
V125BL	1 1/4" 3-Way BL Valve	1 1/4"	1 1/2"	T
V150BL	1 1/2" 3-Way BL Valve	1 1/2"	1 1/2"	T
V200BL	2" 3-Way BL Valve	2"	2"	Straight
VT200BL	2" 3-Way BL Valve	2"	2"	T



Manifold "Stubby" Valves



PART#	DESCRIPTION	PIPE SIZE	PORT SIZE
VSMT200CF	2" Flange x 2" MPT	2"	1 1/2"
VSF200CF	2" Flange x 2" Male Adapter	2"	1 1/2"
MVS220FP	2" FP Flange x 2" FPT	2"	2"
MVSF220FP	2" FP Flange x 2" Male Adapter	2"	2"
MVS220CF	2" FP Flange x 2" FP Flange	2"	2"
MVSMT220FP	2" FP Flange x 2" MPT	2"	2"
MVSF300	3" Flange x 3" Male Adapter	3"	2 1/2"
MVSF300FP	3" FP Flange x 3" Male Adapter	3"	3"
MVSMT300	3" Flange x 3" MPT	3"	2 1/2"
MVS300CF	3" Flange x 3" Flange	3"	2 1/2"
MVS300CFFP	3" FP Flange x 3" FP Flange	3"	3"

4 and 6 Bolt Manifold Valve



PART#	DESCRIPTION	PIPE SIZE	PORT SIZE
MV100CF	1" Flange Ball Valve	1"	1"
MV200CF	2" Flange Ball Valve	2"	1 1/2"
MV220CF	2" Full Port Flange Ball Valve	2"	2"
MV300	3" Standard Flange Ball Valve	3"	2 1/2"
MV300CF	3" Full Port Flange Ball Valve	3"	3"

Standard & Locking Handles



PART#	DESCRIPTION	COMPATIBLE VALVES
V25153	Standard Handle	V200FP, V300, V300FP, V400, VFMT200FP & VFMT200FPSH
V20153	Standard Handle	V125FP, V150 & V200
VS20152SH	Standard Handle (Short)	VSF200, VSMT200, VSFMT200 & VSFHB200
V10153A	Standard Handle (Short)	V050, V075, V100, V100FP & V125
VL25153*	Locking Handle	V200FP, V300, V300FP, V400, VFMT200FP & VFMT200FPSH
VL20153*	Locking Handle	V125FP, V150 & V200

* Padlock not included.



3-Way Manifold Side Load Valves



PART#	DESCRIPTION	PIPE SIZE	PORT SIZE	HANDLE TYPE
MV100SL	1" Manifold 3-Way SL Valve	1"	1"	T
MV200SL	2" Manifold 3-Way SL Valve	2"	1 1/2"	Straight
MV220SL	2" FP Manifold 3-Way SL Valve	2"	2"	Straight

*Directional flow right and left. Valve cannot be turned off.

3-Way Manifold Bottom Load Valves



PART#	DESCRIPTION	PIPE SIZE	PORT SIZE	HANDLE TYPE
MV100BL	1" Manifold 3-Way BL Valve (4 Bolt)	1"	1"	T
MV200BL	2" Manifold 3-Way BL Valve (4 Bolt)	2"	1 1/2"	T
MV220BL	2" FP Manifold 3-Way BL Valve (4 Bolt)	2"	2"	Straight
MV300BL	3" Manifold 3-Way BL Valve (6 Bolt)	3"	3"	Straight

*Directional flow right or left. Valve can be turned off to stop flow.

Mounting Brackets



PART#	DESCRIPTION	COMPATIBLE VALVES
V10270	Straight Mounting Bracket	V100FP & V125
V10271	90° Mounting Bracket	V100FP & V125
V25270	Straight Mounting Bracket	V150, V200, V200FP, V300, V300FP, V400, VFMT200FP & VFMT200FPSH
V25271	90° Mounting Bracket	V150, V200, V200FP, V300, V300FP, V400, VFMT200FP & VFMT200FPSH



Plated Brass Ball Valve



PART#	SIZE	HANDLE TYPE
90FFB18	1/8" FPT x 1/8" FPT	Butterfly
90FFB14	1/4" FPT x 1/4" FPT	Butterfly
90FMB14	1/4" FPT x 1/4" MPT	Butterfly
90FFB38	3/8" FPT x 3/8" FPT	Butterfly
90FMB38	3/8" FPT x 3/8" MPT	Butterfly
90FFB12	1/2" FPT x 1/2" FPT	Butterfly
90FMB12	1/2" FPT x 1/2" MPT	Butterfly
90FFL18	1/8" FPT x 1/8" FPT	Lever
90FFL14	1/4" FPT x 1/4" FPT	Lever
90FML14	1/4" FPT x 1/4" MPT	Lever
90FFL38	3/8" FPT x 3/8" FPT	Lever
90FML38	3/8" FPT x 3/8" MPT	Lever
90FFL12	1/2" FPT x 1/2" FPT	Lever
90FML12	1/2" FPT x 1/2" MPT	Lever
90-HBF	Replacement nylon butterfly handle	
RI167	Replacement nylon lever handle	

316 Stainless Steel Two Piece Ball Valves



PART#	DESCRIPTION	MAX PSI	PIPE SIZE	PORT SIZE
88-14	1/4" SS FP Ball Valve	1000	1/4"	1/4"
88-38	3/8" SS FP Ball Valve	1000	3/8"	3/8"
88-12	1/2" SS FP Ball Valve	1000	1/2"	1/2"
88-34	3/4" SS FP Ball Valve	1000	3/4"	3/4"
88-100	1" SS FP Ball Valve	1000	1"	1"
88-114	1 1/4" SS FP Ball Valve	1000	1 1/4"	1 1/4"
88-112	1 1/2" SS FP Ball Valve	1000	1 1/2"	1 1/2"
88-200	2" SS FP Ball Valve	1000	2"	2"
88-300	3" SS FP Ball Valve	1000	3"	3"



Titan Wafer Style Butterfly Valve, Flange, and Gasket



PART#	DESCRIPTION	BODY MATERIAL	DISC MATERIAL	SEAT MATERIAL
BF75-CI-R-S-E-L	3" Wafer Style Butterfly Valve	Cast Iron	Stainless Steel	EPDM
304-2658T-48	4 Bolt Flange for 3" Wafer Style Butterfly Valve	Stainless	N/A	N/A
97504FF-48	Gasket For 3" Four Bolt Flange	Non-Asbestos	N/A	N/A





TeeValve Control Valves

- For selective control of three-section boom sprayers at pressures up to 300 PSI
- Use to open any of three boom section lines in any desired combination
- Raise lever to open, lower lever to close the valve without changing the indexed position
- Aluminum construction with stainless steel and plastic internal parts for maximum corrosion resistance



PART#	MAXIMUM PRESSURE	INLET	(3) BOOM OUTLETS	ACCESSORY OUTLET
AA17L	300 PSI (20 bar)	3/4" FPT	3/4" FPT	3/4" FPT
AA17Y	300 PSI (20 bar)	1" FPT	3/4" FPT	3/4" FPT

Pressure Relief Valve

- Piston-Type Pressure Relief/Regulating Valves bypasses excess liquid
- Adjustable to maintain control of line pressure at any pressure within the valve's operating range
- Selected pressure setting firmly held in place by locknut
- Extra large valve passages to handle large flows
- 302 stainless steel spring and EPDM O-ring
- Excellent chemical resistance
- 1/4" port for pressure gauge pipe plug included



PART#	CONNECTION	PRESSURE RANGE
23120-1/2-PP	1/2"	150 PSI (10 bar)
23120-3/4-PP	3/4"	150 PSI (10 bar)

Model 8460 Diaphragm-Type Regulating Valve

- Positive locknut to hold adjustment screw firmly in place. Not affected by jarring and vibration
- Extra large valve passages to handle full flow from supply line
- 8460- * -50 uses stainless steel springs while 8460- * uses steel springs - responsive to the pressure range of each valve



PART#	INLET & PIPE CONNECTIONS	PRESSURE RANGE
8460- * -50	1/2" or 3/4"	50 PSI (3.5 bar)
8460- *	1/2" or 3/4"	300 PSI (20 bar)

DirectoValve Manual Control Valves

- Molded of corrosion resistant materials; all wetted parts are polypropylene, stainless steel and polyethylene
- Maximum pressure of 150 PSI
- Large capacity, 12 GPM at 5 PSI pressure drop
- Molded-in mounting flange and 1/4" NPT gauge port
- Valves can be ganged together using hex nipple for multiple boom control
- Easily repaired without removing valve from spray line



AA6B

Throttling Valve

For regulating flow in systems equipped with centrifugal pumps where sensitive regulation is required or to control flow in jet agitator return lines. Locknut holds pressure setting firmly in place.

- Polypropylene construction for excellent chemical resistance
- Pressures to 150 PSI (10 bar)
- 1/2" and 3/4" NPT or BSPT connections



PART#	CONNECTION	PRESSURE RANGE
23520-1/2-PP	1/2"	150 PSI (10 bar)
23520-3/4-PP	3/4"	150 PSI (10 bar)

Threaded Back Check Valves



PART#	SIZE
CV050	1/2" FPT Check Valve
CV100MT	1" MPT x 1" FPT Check Valve
CV100	1" FPT Check Valve
CV221	2" Full Port FPT Check Valve
CV300	3" Full Port FPT Check Valve w/ 5 lb. Spring
CV301	3" Full Port FPT Check Valve w/ 1/2 lb. Spring

